

Emergency Light with Battery Bank Double Pole

Specifications

Image

Generic

Portable Emergency Lighting System comprising Rechargeable Battery Bank, Charging Unit with Charging Cables, Collapsible Mast Tower, LED Luminaire, Supporting Accessories	Yes Accessories: - Charger, User Manual
Minimum Operating Time (in hours)	8 Hrs
Charging Time (in hours)	8 to 10 Hrs
Number of LEDs	10 LEDs in each Light
Closed Product Dimensions	550 X 395 X 225 mm (+/- 30mm)
Digital Display Dimension	40 X 20 mm (+/- 5 mm)
Power	2*20W
Features	i) A rotatory knob is given to adjust the intensity of light ii) An AC power socket shall be provided to operate the light directly through an AC power source.

Battery Construction

Battery Type	Rechargeable
Battery Chemistry	Lithium ion
Battery Nominal Voltage	12 Volt
Minimum Battery Capacity (in Ah)	40 Ah
Number of Batteries in Battery Bank	1
Charger	Battery Bank with Separate Charger, Input 220V AC, 50Hz
Additional Vehicle Battery Charging Kit with Cables (Mobile Charging Option) Provided	Yes
Standard Warranty of Battery	1 Year

Tower Construction

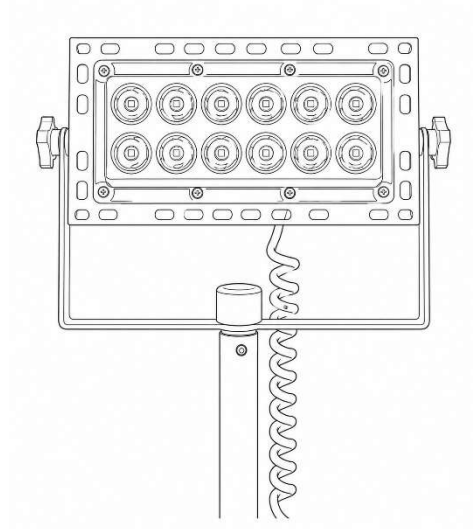
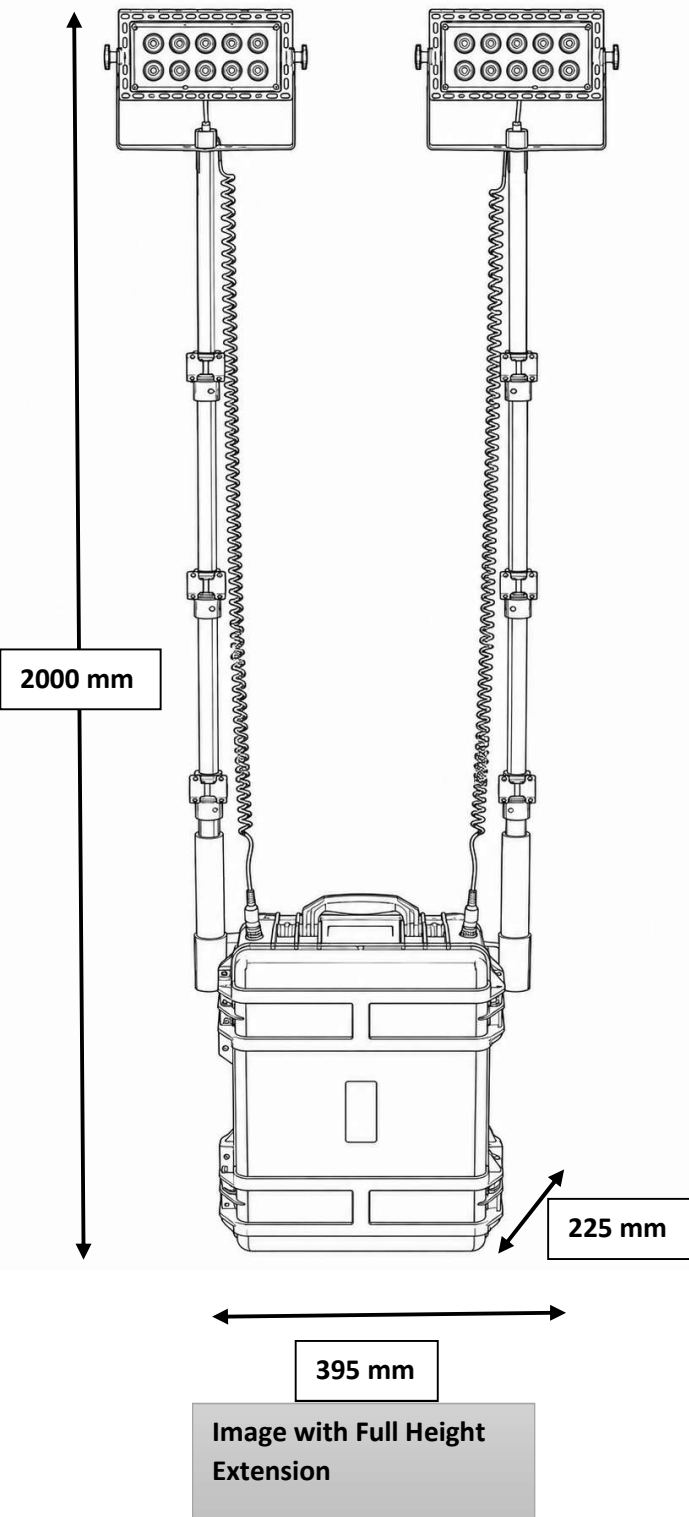
No. of Collapsible Mast (Poles)	2 Nos.
Material of Mast	Aluminium
Minimum Height of Collapsible Mast with Light Source (Measured from Ground Level)	2000mm +/- 30mm (or 200 cm or 2 mtr or 6.56 feet)
Mast Lifting and Lowering Mechanism	Manual
Mast Raising and Lowering Time	<=/= 2 Minutes

LED Luminaire Construction

No. of Lights	2 Nos.
LED Luminaire Compliance to IS:10322 (Part 5/Section 5) and IS:16107 (Part 2/Sec 1)	Yes
Photo Biological Safety of LEDs as per IS:16108 (Exempt Group) or Equivalent	Yes
LED Modules Compliance as per IS:16103 (Part 2)	Yes
Minimum System Light Output (in Lumens)	4000
Luminaire System Efficacy (in Lumen/watt)	>/= 100 Lm/Watt
LED Chip Efficacy	≥130 Lm/Watt
LED Working Life	>/= 50,000 burning hours
Colour Temperature [Hint: Bright White (3500–4000 K), Cool White/Daylight (5000–6500 K)]	6000K+/-500K
Colour Rendering Index (CRI)	≥70
Optical Lens Material (UV Stabilized)	Poly carbonate lense
Luminaire Housing: Single-Piece Pressure Die-Cast Aluminium Alloy with High Thermal Conductivity	Yes
Luminaire Body with Corrosion-Resistant Powder Coating	Yes
Fasteners Made of Stainless Steel	Yes
Extruded Silicone Loop Gasket for Weatherproof Seal Between Cover and Housing	Yes
Toughened Glass/Polycarbonate Cover Resistant to Discoloration, Heat, and Aging Within Warranty Period	Yes
Die Cast Aluminium Heat Sink with Fins for Effective Heat Dissipation	Yes
Ingress Protection of Entire Luminaire Housing (LED and Driver Sections)	IP65
Operating Temperature Range	-10 deg C to +50 deg C
Manufacturer Name and Brand on Aluminium Die-Cast Body	Engraved/Embossed
Date of Manufacture (Month-Year) and Lot Number on Each Unit and Packaging	Yes
Ingress Protection Rating of Luminaire	IP65
Total Weight of Complete System	<=/= 14 Kg



Product Line Drawing



Luminaire Image

